



morphy richards

**3 Year
Guarantee***

*Upon registering your product
at morphyrichards.co.uk

FLEXI FREEZE
42" Bladeless
Tower Fan
& Air Purifier
with Remote Control



Model No.
828375

User Manual

Please read and keep these instructions for future use





HEALTH AND SAFETY

The use of any electrical appliance requires the following common sense safety rules.

Please read these instructions carefully before using the product.

- This appliance can be used by children aged from 8 years and above and persons with reduced physical, sensory or mental capabilities, or lack of experience and knowledge, if they have been given supervision or instruction concerning the use of the appliance in a safe way and understand the hazards involved.
- Children shall not play with the appliance.
- Cleaning and user maintenance shall not be made by children without supervision.
- If the mains cable is damaged, it must be replaced by the manufacturer, its service agent or similarly qualified person in order to avoid a hazard.





HEALTH AND SAFETY

- **WARNING:** Misuse of appliance could cause personal injury.
- Keep the appliance and its cord out of reach of children.
- This appliance is intended for indoor household use only. It is not suitable for use in staff kitchen areas in shops, offices and other commercial environments.





HEALTH AND SAFETY

LOCATION

- Ensure that the appliance is used on a firm, flat surface to reduce noise and vibration.
- Do not expose the appliance to direct sunlight.
- Do not use the appliance outdoors or near water.
- The appliance should be a minimum of 30cm away from a wall or other obstructions that may prevent or impair oscillation.
- The appliance should be stood upright during operation; it should NEVER be laid on its side.
- Do not use the appliance next to curtains, clothing, tablecloths, hair or other items that can be drawn into unit.
- Do not use the appliance near flammable or explosive gases.

MAINS CABLE

- Do not let the mains cable hang over the edge of the worktop where a child could reach it.
- Do not let the mains cable run across an open space e.g. between a low socket and a table.
- The mains cable should reach from the socket to the product without straining the connections.

PERSONAL SAFETY

- Keep hands, hair and clothing, and utensils away from the appliance while in operation, to prevent personal injury and/or damage to the appliance.
- Do not operate with wet hands.

OTHER SAFETY CONSIDERATIONS

- The use of attachments or tools not recommended or sold by Morphy Richards, may cause fire, electric shock or injury.
- Do not move the fan while switched on.
- Do not use this product for anything other than its intended use.
- Unplug from the outlet when not in use.
- **WARNING:** The appliance must not be immersed in water for cleaning.
- **WARNING:** Misuse of this appliance could cause personal injury.



ELECTRICAL DETAILS

Check that the voltage on the rating plate of your appliance corresponds with your house electricity supply which must be A.C. (Alternating Current).

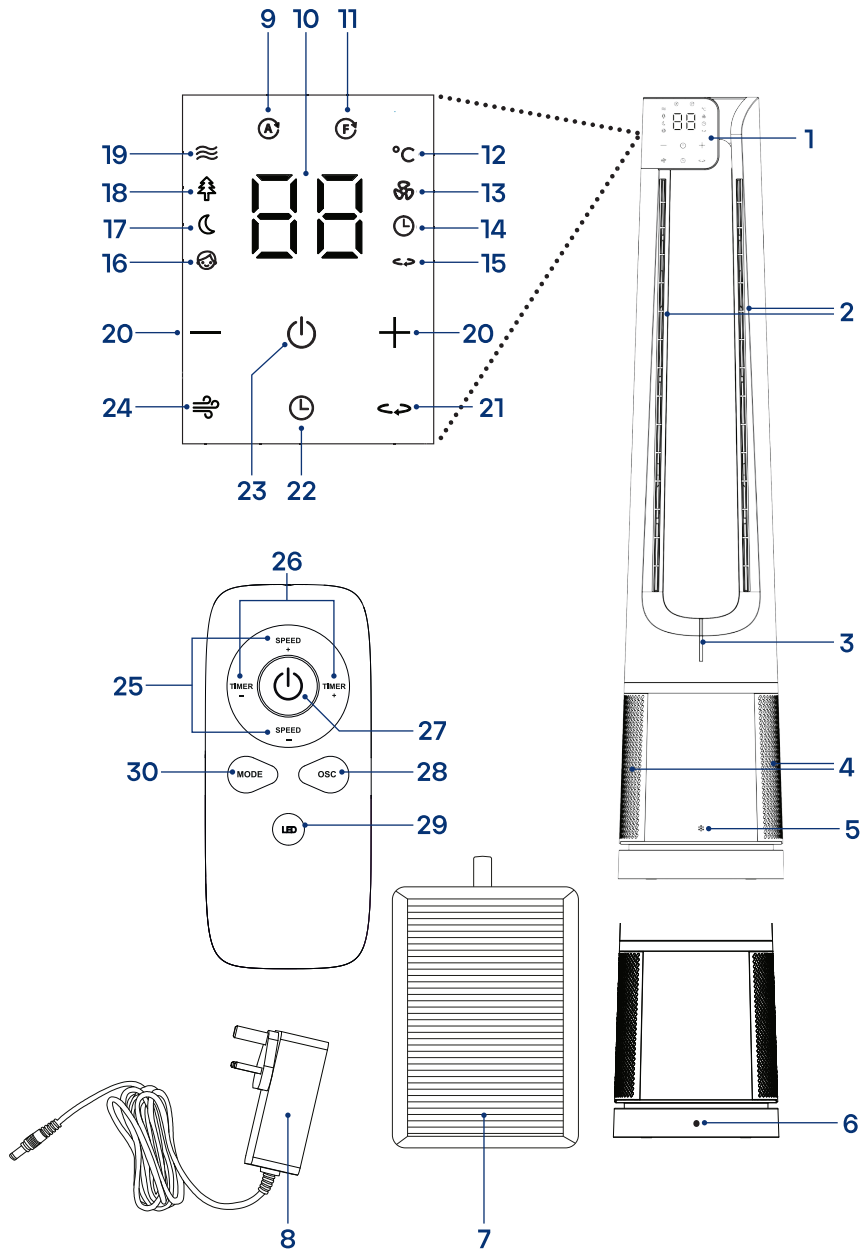
Should the fuse in the mains plug require changing, replace it with a fuse of the same rating as originally fitted.

The power consumption in off mode is 0.3W.





PRODUCT OVERVIEW





PRODUCT OVERVIEW

Features

1. Control Panel with Display
2. Air Outlet
3. Ambient Air Indicator
4. Air Inlets with Removable Covers
5. Dust Particle Sensor
6. Connection Port for Mains Adaptor
7. Filter (located behind air inlet covers)
8. Mains Adapter

Control Panel / Display

9. Automatic Mode Indicator
10. Display
11. Filter Replacement Indicator
12. Temperature Indicator
13. Fan Setting Indicator
14. Timer Symbol
15. Oscillation Indicator
16. Child Mode Indicator
17. Sleep Mode Indicator
18. Nature Mode Indicator
19. Normal Mode Indicator
20. Increase / Decrease Buttons
21. Oscillation Button
22. Timer Button
23. Power On/Off Button
24. Mode Button

Remote Control

25. Fan Speed Increase / Decrease Buttons
26. Timer Increase/ Decrease Buttons
27. Power On/Off Button
28. Oscillation Button
29. Control Panel Lights On/Off Button
30. Mode Button



BEFORE FIRST USE

1. Remove all packaging.
2. Remove the plastic tab from the remote control to activate the battery (CR2025).
3. Place the fan on a flat, level and stable surface to prevent vibrations and noise.
4. Ensure a clearance of at least 30 cm on all sides around the fan and make sure that the air inlets and air outlets are never blocked or obstructed.
5. Remove the filters from the fan (see Changing the filters section) and take them out of the plastic packaging.
6. Re-fit the filters into the fan and re-attach the air inlet covers.
Note: Ensure the mesh pattern side is facing to the outside.

BATTERY WARNING

KEEP OUT OF REACH OF CHILDREN
Swallowing can lead to chemical burns, perforation of soft tissue, and death. Severe burns can occur within 2 hours of ingestion. Seek medical attention immediately.





USING YOUR FAN

Ambient Air Indicator

1. Plug the mains cable of the mains adapter into the connection port on the rear of the fan. Then plug the mains adapter into the mains socket.
2. The Power On/Off button illuminates on the control panel.
3. Press the POWER button to turn the fan on.
4. A beep will be heard when the fan is switched on.

The fan will default to Speed 6 in normal mode (the LED display will show room temperature after 5 seconds).

The ambient air indicator turns on automatically. After approximately 30 seconds, the ambient air indicator will indicate the current air quality using a colour, which corresponds to the concentration of particles in the air around the fan.

Ambient Air Indicator Colour	Air Quality
Blue	Good
Yellow	Acceptable
Red	Very Poor

5. Press the POWER button at any time to turn the fan off.

Important: The mains adaptor MUST be attached to the appliance before plugging into the mains socket.

Setting the Fan Speed

1. To adjust the fan speed, press the Increase or Decrease button +/-, until the desired speed is reached.
2. When the speed has been set, the display will show room temperature after approximately 5 seconds.

Note: The fan has speeds 1 to 12.



USING YOUR FAN

Modes

To select the desired mode. Press the Mode button.
It will cycle Normal → Natural → Sleep → Child → Auto.

Normal Mode

When using the Normal fan, it can be set to your desired speed between 1 to 12.

Natural Mode

1. While the appliance is set to Natural mode the fan will oscillate and the fan speed will vary mimicking a natural breeze.
2. Press the Oscillation button at any time to stop the fan oscillating.

Note: The Fan Speeds on Natural mode are pre-set and cannot be changed.

Sleep Mode

1. In Sleep mode the fan will oscillate and operate at Speed 12 for 10 minutes; the fan then reduces to Speed 6 for 10 minutes and finally reduces to Speed 1 until it is turned off manually.
2. The Display and Ambient Air Indicator will turn off if no button/s are pressed within 10 seconds.
3. Press the Power On/Off button on the Control Panel or any button on the remote control to turn on the display.
4. Press the Oscillation button at any time to stop the fan oscillating.

Note: The Fan Speeds on Sleep mode are pre-set and cannot be changed.

Auto Mode

1. When set to Auto mode the fan speed automatically adjusts in line with the ambient air quality.
 - Blue ambient air indicator the fan will operate at speed 1.
 - Yellow ambient air indicator the fan will operate at speed 8.
 - Red ambient air indicator the fan will operate at speed 12.





USING YOUR FAN

2. Press the Oscillation button at any time to stop the fan oscillating.

Note: The room temperature will illuminate on the Display.

Note: The timer can be set for a minimum of 1 hour and a maximum of 12 hours.

Using the Timer (Auto Off)

1. To set the timer, press the Timer button while the fan is in operation, then press the Increase or Decrease button +/-, to set the desired timer period.
2. The timer indicator will illuminate and the display will revert to the ambient temperature.
3. The fan will stop automatically when the time selected has lapsed.
4. To cancel the timer at any time, set the timer to 0 hour.

Note: To amend the set Timer period at any time. Press the timer button again before pressing the Increase or Decrease button.

Note: The timer can be set for a minimum of 1 hour and a maximum of 12 hours.

Oscillation

1. Press the Oscillating button, the Oscillating indicator will illuminate on the control panel.
2. The fan will rotate to the left and right.
3. To stop Oscillation press the Oscillating button at any time, the Oscillating indicator will go out.

Note: Every time the appliance is plugged into the mains socket or is turned off the fan will automatically return to the centre position.

Control Panel Lights On/Off

1. The Control Panel Display and Ambient Air Indicator can be turned off by pressing and holding the Power On/Off button on the Control Panel for approximately 3 seconds or by pressing the Control Panel Lights ON/Off Button on the remote control.



USING YOUR FAN

2. To turn the Control Panel Display and Ambient Air Indicator back on. Press and hold the Power On/Off button on the Control Panel for approximately 3 seconds or by pressing the Control Panel Lights ON/Off Button on the remote control

Memory function

If the fan is powered off without disconnecting the plug from the mains socket, it will restart in the mode it was using before being switched off (except for the timer function).

CARE & CLEANING

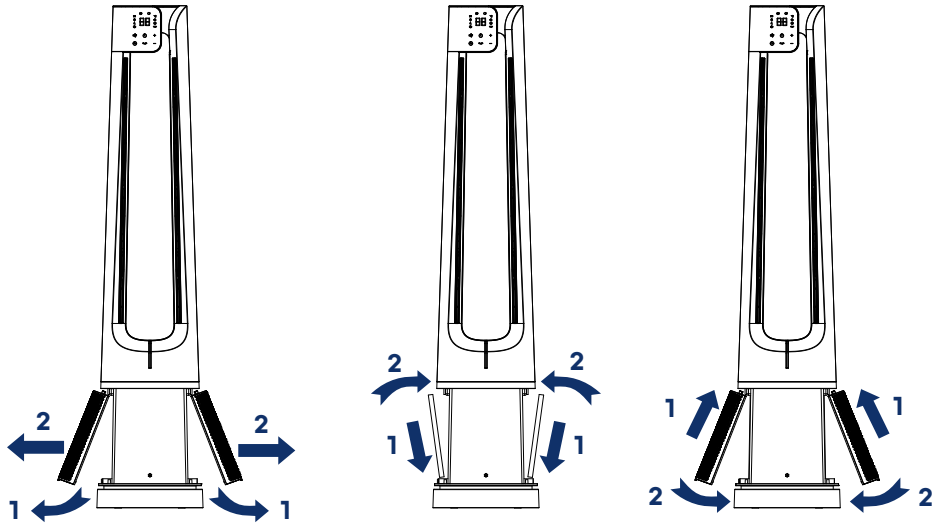
IMPORTANT: The fan **MUST** be unplugged from the mains socket before cleaning.

- Do not immerse in water.
- Do not use abrasives to clean the unit. Wipe with a soft, damp cloth.
- Dry all parts thoroughly before you plug in to operate again.





CHANGING THE FILTERS



IMPORTANT: The fan **MUST** be unplugged from the mains socket before removing the air inlet covers and whilst changing the filters.

1. The filter indicator will light up automatically after 1440 operating hours.
2. Remove the 2 inlet covers as shown.
3. Remove the filters and dispose them.
4. Insert the new filters as shown, ensuring the mesh pattern side is facing outwards.
5. Replace the air inlet covers as shown.
6. Plug into a mains socket.
7. Press the Power On/Off button once to turn on the fan.
8. Press and hold the Oscillation button for approximately 5 seconds until the filter indicator goes out.
9. The filter indicator will not light up again until another 1440 operating hours have passed.

Note: To maintain optimum operation of the fan, we recommend that both filters are changed at the same time, at least every 6 months.



TROUBLESHOOTING

Problem	Solution
No power.	Check the fuse and try a new fuse with the same rating.
	Try a different appliance in the socket as it may be the socket that is at fault.
Tripping electrics.	Try using a different socket.
	Ensure there are no other appliances being used on the same set of sockets.
Fan is noisy during operation.	Dirt/dust obstruction. Follow care and cleaning instructions to remove the air inlet covers and filters for cleaning.
	Place on firm, flat horizontal surface.
Poor air flow.	Dirt/dust obstruction. Follow care and cleaning instructions to remove the air inlet front covers and filters for cleaning.

SPARE PARTS

Part Number	Description	Qty per Product	Key Number
33075	Mains Adapter	1	8
33076 (sold individually)	Air Inlet Cover	2	4
33077 (Qty 2)	Filter	2	7
33078	Remote Control	1	N/A



CONTACT US

If you are having a problem with your appliance, please contact our Helpline, as we are more likely to be able to help than the store you purchased the item from. Please have the product name, model number and serial number to hand when you contact us to help us deal with your enquiry quicker.

email: hello@morphyrichards.co.uk

www.morphyrichards.co.uk

PRODUCT RECYCLING



For electrical products sold within the European Community, at the end of the electrical products useful life, it should not be disposed of with household waste.

Please recycle where facilities exist.

Check with your Local Authority or retailer for recycling advice in your country.



REGISTERING YOUR 3 YEAR GUARANTEE

Your standard 2 year guarantee is extended for an additional 1 year when you register the product within 28 days of purchase with Morphy Richards. If you do not register the product with Morphy Richards within 28 days, your product is guaranteed for 2 years.



To validate your 3 year guarantee, scan the QR code or register online at www.morphyrichards.co.uk

N.B. Each qualifying product needs to be registered with Morphy Richards individually. Please note that the 2 year guarantee is only available in the UK. Please refer to the 2 year guarantee for more information.

YOUR 2 YEAR GUARANTEE

It is important to retain the retailer's receipt as proof of purchase. Staple your receipt to the back cover for future reference.

Please quote the following information if the product develops a fault. These numbers can be found on the base of the product.

Model no.

Serial no.

All Morphy Richards products are individually tested before leaving the factory. In the unlikely event of any appliance proving to be faulty within 28 days of purchase, it should be returned to the place of purchase for it to be replaced. If the fault develops after 28 days and within 24 months of original purchase, you should contact the Helpline quoting Model number and Serial number on the product, or write to Morphy Richards at the address shown. You may be asked to return a copy of proof of purchase.

Subject to the exclusions set out on the next page (see Exclusions), the faulty appliance will then be repaired or replaced as appropriate and dispatched usually within 7 working days of receipt.

If, for any reason, this item is replaced or repaired during the 2 year





REGISTERING YOUR 3 YEAR GUARANTEE

guarantee period, the guarantee on the new item will be calculated from the original purchase date. Therefore it is vital to retain your original till receipt or invoice to indicate the date of initial purchase.

To qualify for the 2 year guarantee, the appliance must have been used according to the instructions supplied.

The appliance is intended for domestic use only. Misuse or use for commercial or any other purpose will render the guarantee invalid.

Exclusions

Morphy Richards shall not be liable to replace or repair the goods under the terms of the guarantee where:

1. The fault has been caused or is attributable to accidental use, misuse, negligent use or used contrary to the manufacturer's recommendations or where the fault has been caused by power surges or damage caused in transit.
2. The appliance has been used on a voltage supply other than that stamped on the products.
3. Repairs have been attempted by persons other than our service staff (or authorised dealer).
4. The appliance has been used for hire purposes or non domestic use.
5. The appliance is second hand or refurbished.
6. Morphy Richards reserves the right not to carry out any type of servicing under the guarantee at its discretion.

This guarantee does not confer any rights other than those expressly set out above and does not cover any claims for consequential loss or damage. This guarantee is offered as an additional benefit and does not affect your statutory rights as a consumer. Morphy Richards products are intended for household use only. See usage limitations within the location safety instructions.

Disclaimer

Morphy Richards has a policy of continuous improvement in product quality and design. The company, therefore reserves the right to change the specification of its models at any time.





AT828375MUK Rev1

morphy richards



@morphyrichardsuk #loveyourmorphy

[morphyrichards.co.uk](https://www.morphyrichards.co.uk)

Morphy Richards

9 Cabot Lane, Poole, Dorset, BH17 7BY, UK

